

Safe Lift Pendant Station



Safe-Lift Pendants for lifting equipments are designed with latest standards. Pendants are in single row and double row series.

Features

- ♥ Light weight and User friendly
- ♥ Quick and easy assembly
- ♥ Adequate cabling space
- ♥ Double insulated enclosure in thermoplastics material
- ♥ IP - 65 rating as per EN 60529
- ♥ Operating temperature - 25°C to + 70°C
- ♥ Single Row 2-12 Push Buttons SV Series
- ♥ Double Row from 6 up to 14 Buttons SH series
- ♥ Push Button 22 Ø
- ♥ Emergency stop
- ♥ Contacts are positive opening type Slow Double Break
- ♥ Rated thermal current 16 Amps
- ♥ Rated insulated voltage 690 V

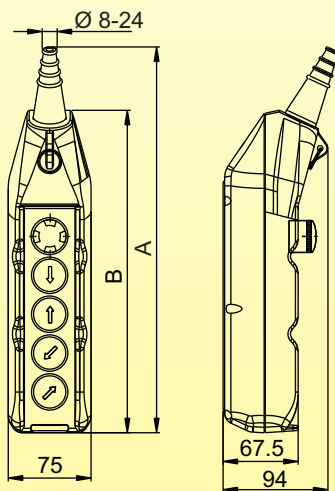


Speed-O-Controls Pvt. Ltd.



Safe Lift *Pendant* Push Buttons

Range :- From 5 Buttons upto 12 Buttons



DIMENSIONS

PUSH BUTTONS	REFERENCE NO.	A mm	B mm
5	SV 5 (5 Buttons)	445	294
7	SV 7 (7 Buttons)	550	400
8	SV 8 (8 Buttons)	550	400
10	SV 10 (10 Buttons)	620	465
12	SV 12 (12 Buttons)	690	540

SV / 5S Push Buttons : 4 + 1 - Single Speed

Description : 4 Push Button with 1 NO Contact
+ 1 Emergency Stop with 1 NC Contact

SV / 7S Push Buttons : 6 + 1 - Single Speed

Description : 6 Push Button with 1 NO Contact
+ 1 Emergency Stop with 1 NC Contact

SV / 8S Push Buttons : 6 + 2 - Single Speed

Description : 6 Push Button with 1 NO Contact
+ 1 Emergency Stop with 1 NC Contact
+ 1 Start / Alarm with 2 NO Contact

SV / 10S Push Buttons : 8 + 2 - Single Speed

Description : 8 Push Button with 1 NO Contact
+ 1 Emergency Stop with 1 NC Contact
+ 1 Start / Alarm with 2 NO Contacts

SV / 12S Push Buttons : 10 + 2 - Single Speed

Description : 10 Push Button with 1 NO Contact
+ 1 Emergency Stop with 1 NC Contact
+ 1 Start / Alarm with 2 NO Contacts

SV / 5D Push Buttons : 4 + 1 - Two Speed

Description : 4 Push Button with 2 NO Contacts
+ 1 Emergency Stop with 1 NC Contact

SV / 7D Push Buttons : 6 + 1 - Two Speed

Description : 6 Push Button with 2 NO Contacts
+ 1 Emergency Stop with 1 NC Contact

SV / 8D Push Buttons : 6 + 2 - Two Speed

Description : 6 Push Button with 2 NO Contacts
+ 1 Emergency Stop with 1 NC Contact
+ 1 Start / Alarm with 2 NO Contacts

SV / 10D Push Buttons : 8 + 2 - Two Speed

Description : 8 Push Button with 2 NO Contacts
+ 1 Emergency Stop with 1 NC Contact
+ 1 Start / Alarm with 2 NO Contacts

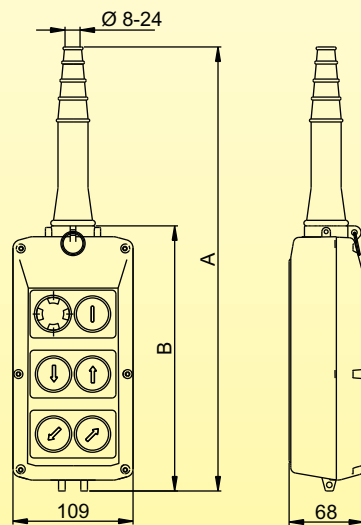
SV / 12D Push Buttons : 10 + 2 - Two Speed

Description : 10 Push Button with 2 NO Contacts
+ 1 Emergency Stop with 1 NC Contact
+ 1 Start / Alarm with 2 NO Contacts



Safe Lift *Pendant* Push Buttons

Range :- From 6 Buttons upto 14 Buttons



DIMENSIONS

PUSH BUTTONS	REFERENCE NO.	A mm	B mm
6	SH 6 (6 Buttons)	445	245
8	SH 8 (8 Buttons)	500	293
10	SH 10 (10 Buttons)	548	350
12	SH 12 (12 Buttons)	665	460
14	SH 14 (14 Buttons)	665	460

SH / 6S Push Buttons : 4 + 2 - Single Speed

Description : 4 Push Button with 1 NO Contact
+ 1 Emergency Stop with 1 NC Contact
+ 1 Start / Alarm with 2 NO Contacts

SH / 8S Push Buttons : 6 + 2 - Single Speed

Description : 6 Push Button with 1 NO Contact
+ 1 Emergency Stop with 1 NC Contact
+ 1 Start / Alarm with 2 NO Contacts

SH / 10S Push Buttons : 8 + 2 - Single Speed

Description : 8 Push Button with 1 NO Contact
+ 1 Emergency Stop with 1 NC Contact
+ 1 Start / Alarm with 2 NO Contacts

SH / 12S Push Buttons : 10 + 2 - Single Speed

Description : 10 Push Button with 1 NO Contact
+ 1 Emergency Stop with 1 NC Contact
+ 1 Start / Alarm with 2 NO Contacts

SH / 14S Push Buttons : 12 + 2 - Single Speed

Description : 12 Push Button with 1 NO Contact
+ 1 Emergency Stop with 1 NC Contact
+ 1 Start / Alarm with 2 NO Contacts

SH / 6D Push Buttons : 4 + 2 - Two Speed

Description : 4 Push Button with 2 NO Contacts
+ 1 Emergency Stop with 1 NC Contact
+ 1 Start / Alarm with 2 NO Contacts

SH / 8D Push Buttons : 6 + 2 - Two Speed

Description : 6 Push Button with 2 NO Contacts
+ 1 Emergency Stop with 1 NC Contact
+ 1 Start / Alarm with 2 NO Contacts

SH / 10D Push Buttons : 8 + 2 - Two Speed

Description : 8 Push Button with 2 NO Contacts
+ 1 Emergency Stop with 1 NC Contact
+ 1 Start / Alarm with 2 NO Contacts

SH / 12D Push Buttons : 10 + 2 - Two Speed

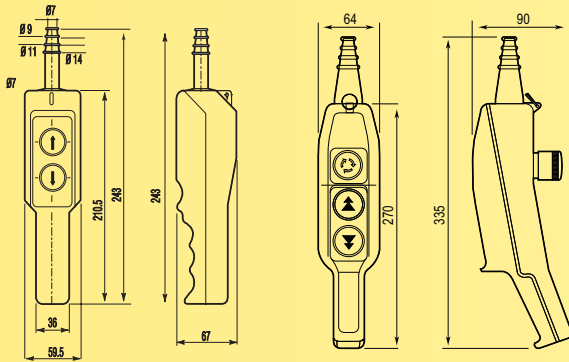
Description : 10 Push Button with 2 NO Contacts
+ 1 Emergency Stop with 1 NC Contact
+ 1 Start / Alarm with 2 NO Contacts

SH / 14D Push Buttons : 12 + 2 - Two Speed

Description : 12 Push Button with 2 NO Contacts
+ 1 Emergency Stop with 1 NC Contact
+ 1 Start / Alarm with 2 NO Contacts

Safe Lift Pendant Station

Range :- 2 & 3 Buttons



SV / 2S Push Buttons : 2 - Single Speed

Description : 2 Push Button
with 1 NO Contact

SV / 2D Push Buttons : 2 - Two Speed

Description : 2 Push Button with 2 NO Contacts

SV / 3S Push Buttons : 2 + 1 - Single Speed

Description : 2 Push Button with 1 NO Contact
+ 1 Emergency Stop with 1 NC Contact

SV / 3D Push Buttons : 2 + 1 - Two Speed

Description : 2 Push Button with 2 NO Contacts
+ 1 Emergency Stop with 1 NC Contact

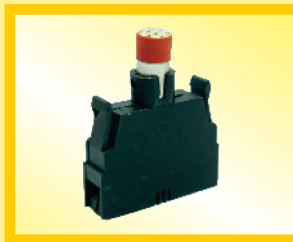
SINGLE SPEED
CONTACT BLOCK



MULTI-SPEED
CONTACT BLOCK



LAMP HOLDERS



INDICATING LAMP



KEY SWITCH



SELECTOR SWITCH



MUSHROOM OPERATOR
Ø 30 TURN TO
RELEASE EN 418



START / ALARM



Visit us at : www.speedocontrols.com



Speed-O-Controls Pvt. Ltd.

Unit - I : Plot No. 4912, G. I. D. C., Phase IV, Vatva, Ahmedabad - 382445
Tel.: (079) 40083201/2/3/4, Fax : (079) 25841056, E-mail : sales.amd@socgroup.in

H. O. Unit -II : C-15/16, Nand Jyot Industrial Estate,
Andheri-Kurla Road, Mumbai - 400072 , Tel : (022) 42469700-30, 28518512-3-4,
Fax : (022) 42469797/ 28518516, E-mail : sales@socgroup.in